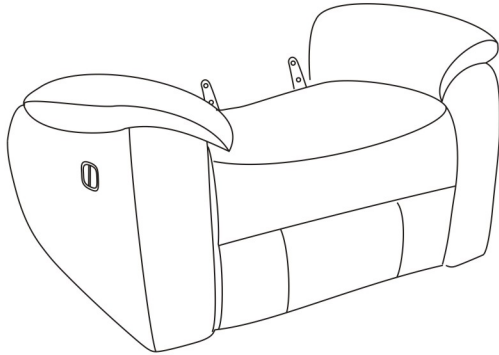


## Components

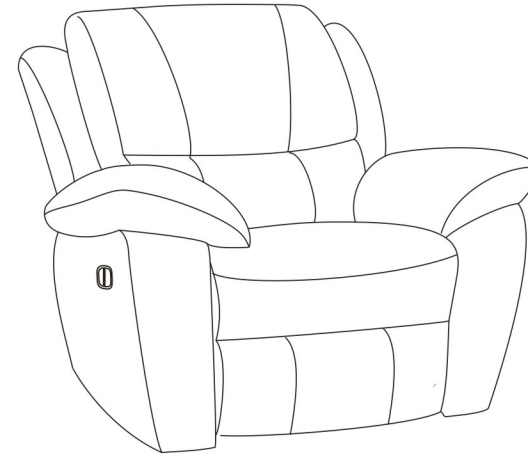
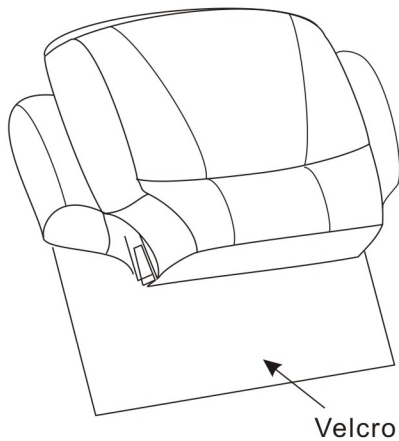
## Chair

Simple Assembly Instructions – Please keep for future reference

**A** 1×Seat Cushion



**B** 1×Back Rest



## IMPORTANT

1. Read these instructions carefully and familiarise yourself with the procedure before assembling the unit.
2. Check that you have all the component parts and familiarise yourself with each part before proceeding.
3. Take all the fittings out of the plastic bag and separate them into groups.
4. Ensure you have enough space to lay out all the parts before assembly.
5. To avoid scratching it is recommended that you assemble the unit on a soft level surface.